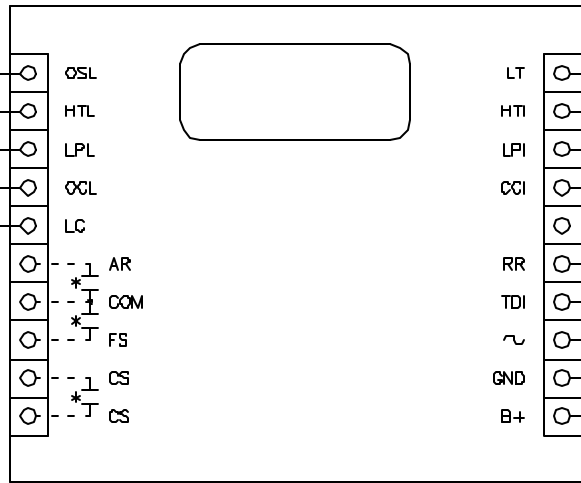
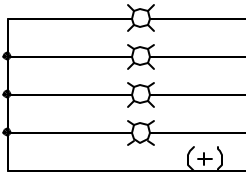


GENSET CONTROL MODULE

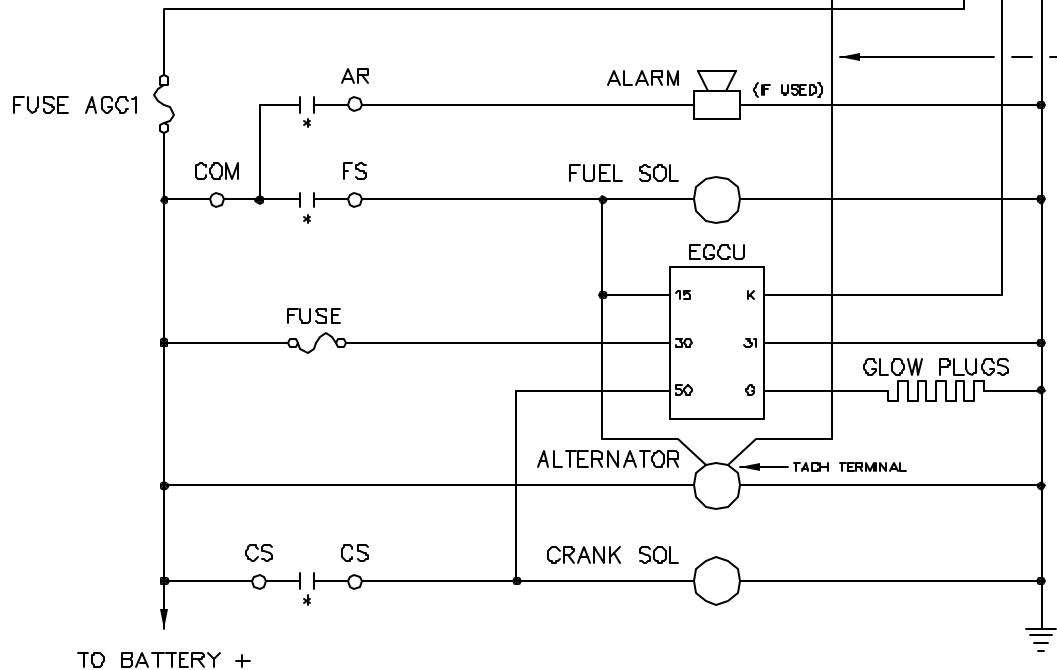
OVERSPEED LITE  
 HI-TEMP LITE  
 LO-PRESS LITE  
 OVERCRANK LITE



LAMP TEST  
 HI-TEMP SENSOR  
 LO-PRESS SENSOR  
 CUSTOMER REMOTE RUN CONTACT  
 TIME DELAY SELECT  
 (TIME DELAY ON SHUT-DOWN ONLY)  
 RUN/STOP/AUTO  
 SELECTOR SWITCH

LOCAL

FREQUENCY  
 INPUT SIGNAL



FREQUENCY SENSING FROM ALTERNATOR TACH. TERMINAL

**FOR USE WITH  
 CUMMINS #CO333023700  
 ELECTRONIC GLOW  
 CONTROL UNIT (EGCU).**

\* RELAYS AR, FS,  
 & CS ARE INSIDE THE  
 GENSET CONTROL.

A		Original models labeled A121C	DSB
REV	DATE	DESCRIPTION	DWN BY

**Bouchette Electronics, Inc.**  
 N11325 County Highway Y Clintonville, WI 54929

TITLE CONNECTION DIAGRAM  
 A121BM/A241BM CONTROL

DATE 02/01/91	DWN BY DSB	CHK TJB	SCALE NONE
P/N	CAD REF	DWG NO	E114-11