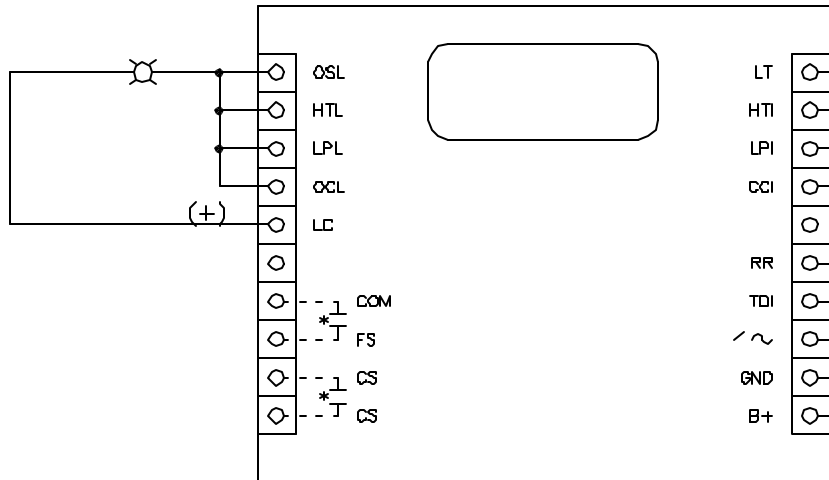


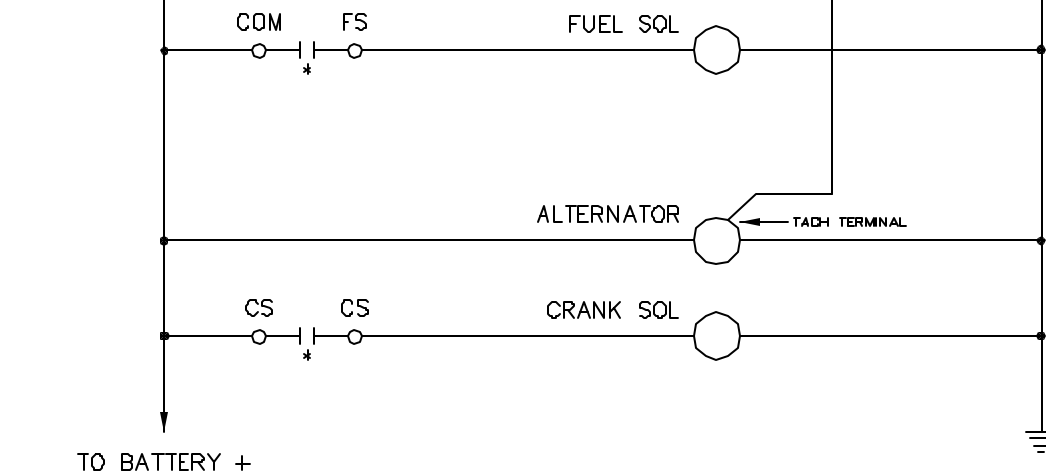
GENSET CONTROL MODULE

FAULT LITE



LAMP TEST
 HI-TEMP SENSOR
 LO-PRESS SENSOR
 CYCLE CRANK SELECT
 CUSTOMER REMOTE RUN CONTACT
 TIME DELAY SELECT
 LOCAL RUN/STOP/AUTO SELECTOR SWITCH

FUSE AGC1

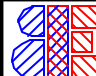


TO BATTERY +

FREQUENCY INPUT SIGNAL

* RELAYS FS & CS ARE INSIDE THE GENSET CONTROL.

FREQUENCY SENSING FROM ALTERNATOR TACH. TERMINAL

 Bouchette Electronics, Inc. N11325 County Highway Y Clintonville, WI 54929			
TITLE CONNECTION DIAGRAM A121S CONTROL			
DATE	DWN BY	CHK	SCALE
05/21/97	DSB	TJB	NONE
P/N	CAD REF	DWG NO	
	PCB111		E114-13