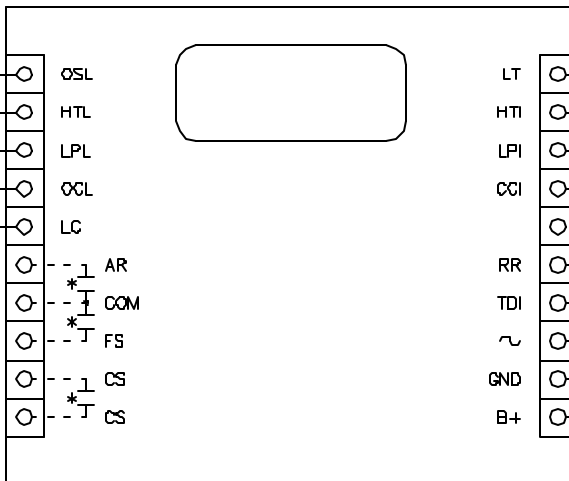
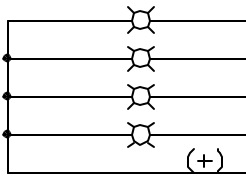


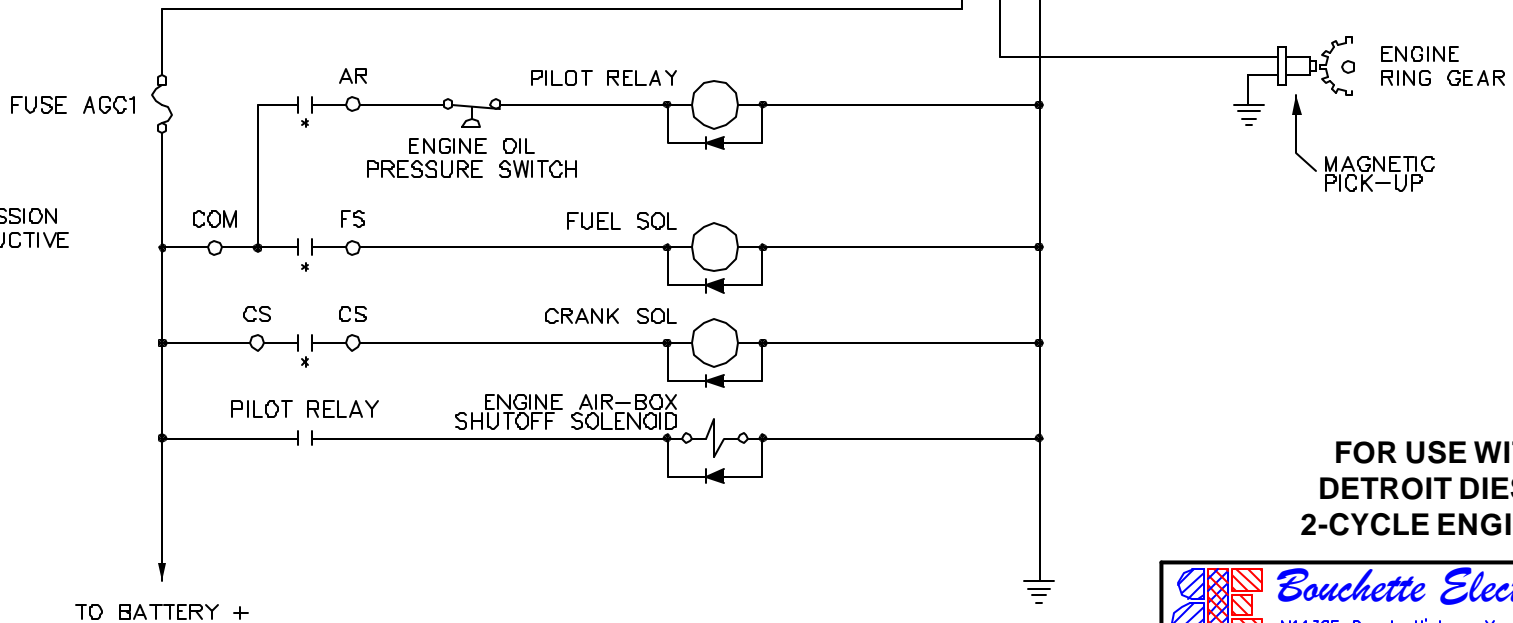
GENSET CONTROL MODULE

OVERSPEED LITE
 HI-TEMP LITE
 LO-PRESS LITE
 OVERCRANK LITE



LT LAMP TEST
 HTI HI-TEMP SENSOR
 LPI LO-PRESS SENSOR
 CCI CYCLE CRANK SELECT
 RR CUSTOMER REMOTE RUN CONTACT
 TDI TIME DELAY SELECT
 GND
 B+ RUN/STOP/AUTO SELECTOR SWITCH

LOCAL



USE NOISE-SUPPRESSION DIODES ON ALL INDUCTIVE LOADS AS SHOWN.

**FOR USE WITH
 DETROIT DIESEL
 2-CYCLE ENGINES.**

FREQUENCY SENSING FROM MAGNETIC PICK-UP

* RELAYS AR, FS, & CS ARE INSIDE THE GENSET CONTROL.

N11325 County Highway Y Clintonville, WI 54929				
TITLE CONNECTION DIAGRAM A121AMx/A241AMx CONTROL				
DATE	DWN BY	CHK	SCALE	
06/06/01	DSB	TJB	NONE	
P/N	CAD REF	DWG NO		
	MEM A121A90		E114-16	

A	11/11/03	ADDED ENGINE OIL SWITCH	DSB
REV	DATE	DESCRIPTION	DWN BY