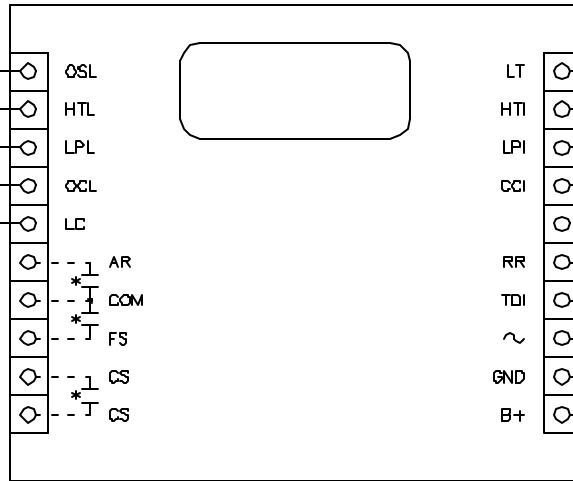
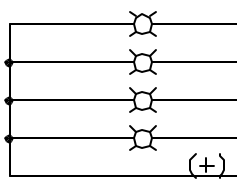
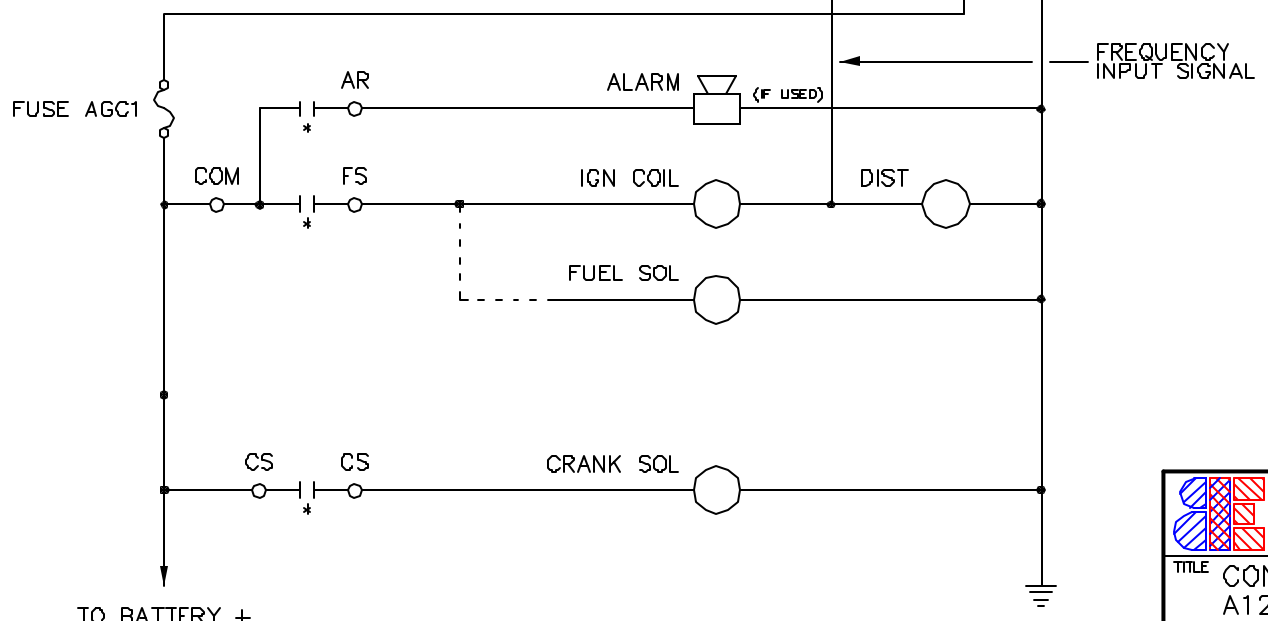


GENSET CONTROL MODULE

OVERSPEED LITE
 HI-TEMP LITE
 LO-PRESS LITE
 OVERCRANK LITE




LAMP TEST
 HI-TEMP SENSOR
 LO-PRESS SENSOR
 CYCLE CRANK SELECT
 CUSTOMER REMOTE RUN CONTACT
 TIME DELAY SELECT
 LOCAL RUN/STOP/AUTO SELECTOR SWITCH



* RELAYS AR, FS,
 & CS ARE INSIDE THE
 GENSET CONTROL.

FREQUENCY SENSING FROM DISTRIBUTOR LOW VOLTAGE TERMINAL

 Bouchette Electronics, Inc. N11325 County Highway Y Clintonville, WI 54929				
TITLE CONNECTION DIAGRAM A121A/A241A CONTROL				
DATE	DWN BY	CHK	SCALE	
08/21/89	DSB	TJB	NONE	
P/N	CAD REF	DWG NO		
	PCB111		E114-3	