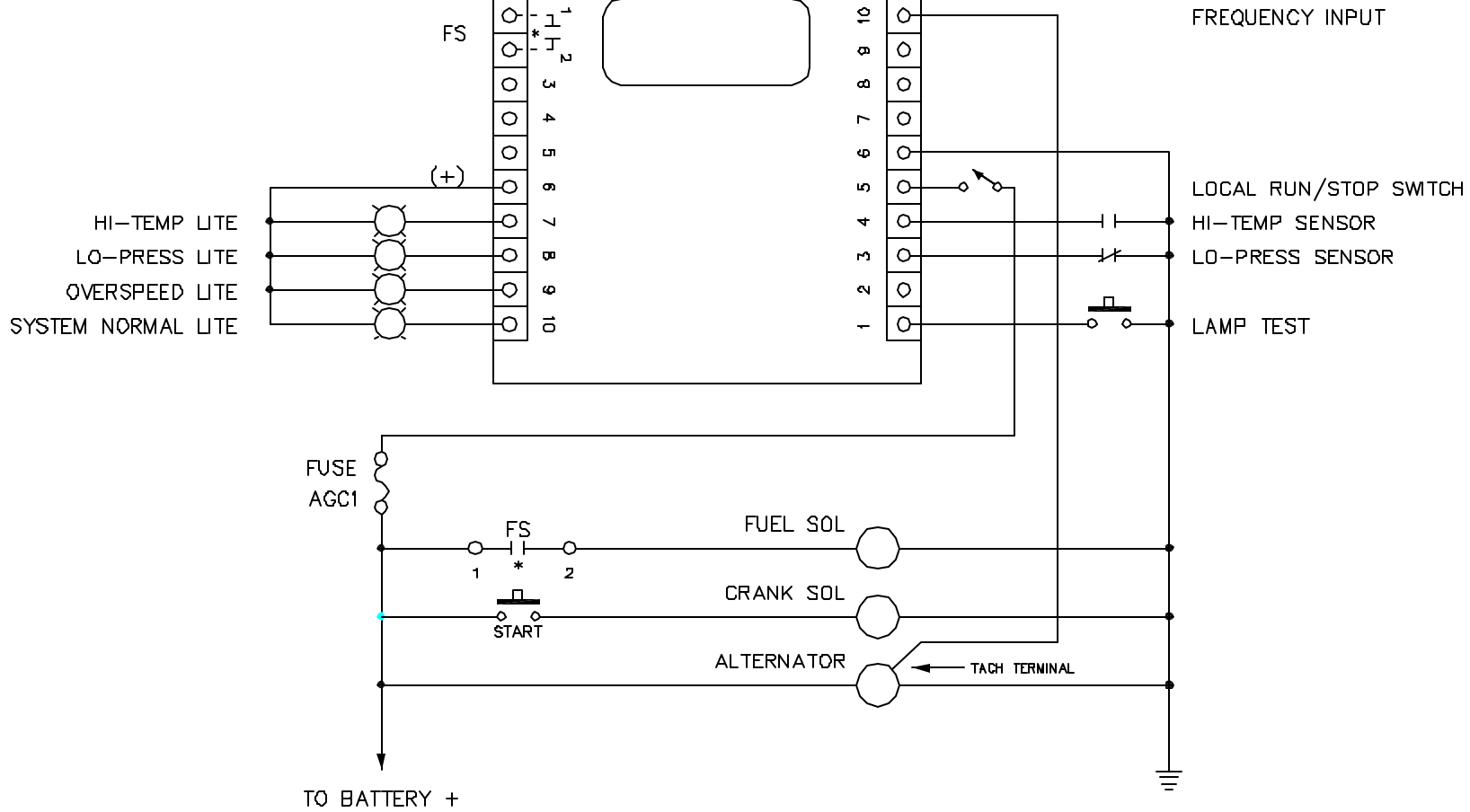



GENSET CONTROL MODULE



* RELAY FS IS
INSIDE THE GENSET
CONTROL.

FREQUENCY SENSING FROM ALTERNATOR TACH. TERMINAL

 Bouchette Electronics, Inc. N11325 County Highway Y Clintonville, WI 54929			
TITLE CONNECTION DIAGRAM M121B/M241B CONTROL			
DATE	DWN BY	CHK	SCALE
08-29-89	DSB	TJB	NONE
P/N	CAD REF	DWG NO	
			E120-2