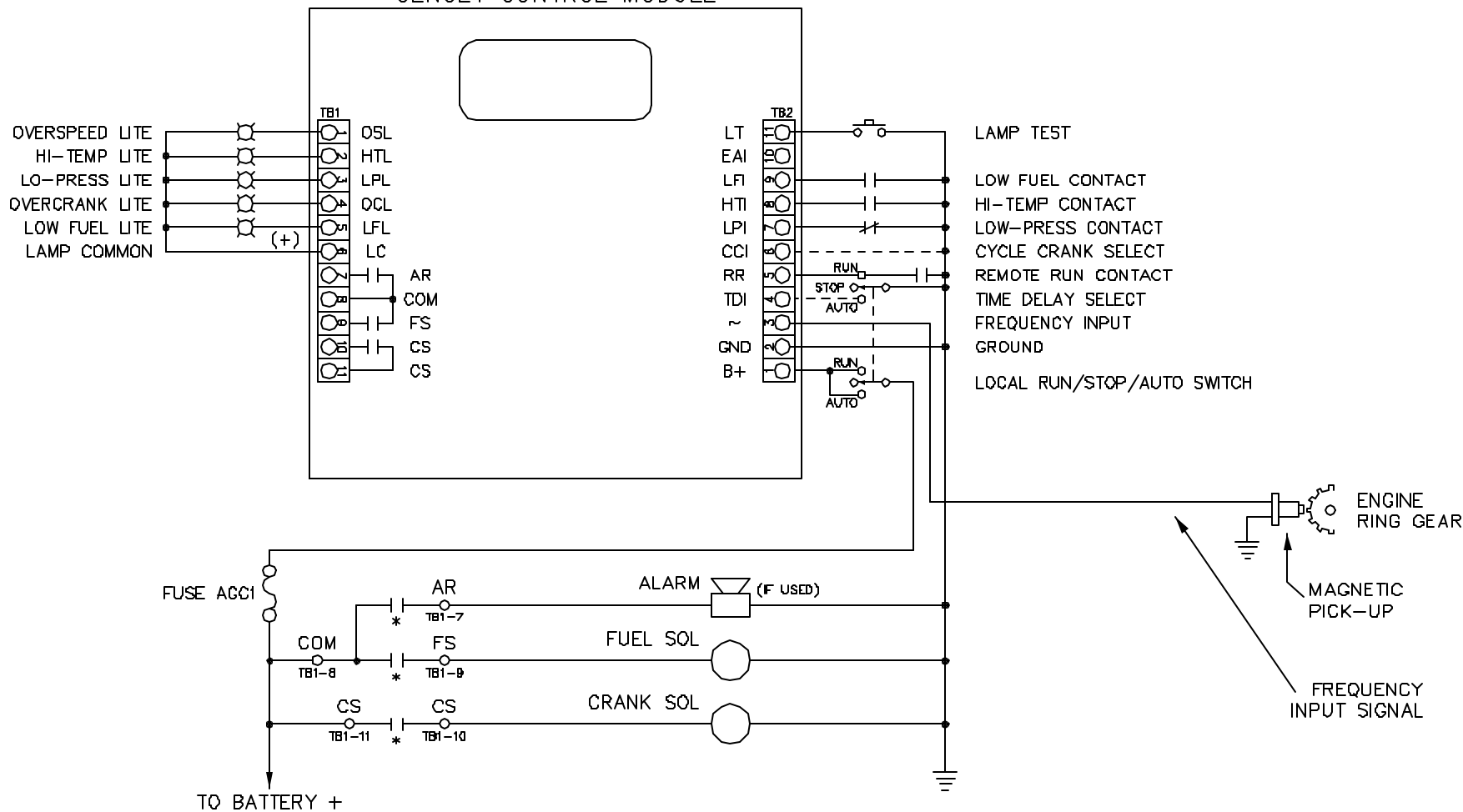


GENSET CONTROL MODULE



* RELAYS FS, CS,
& AR ARE INSIDE
THE GENSET CONTROL

FREQUENCY SENSING FROM MAGNETIC PICK-UP

Bouchette Electronics, Inc. N11325 County Highway Y Clintonville, WI 54929			
TITLE CONNECTION DIAGRAM A121C1/A121C2/A241C CONTROL			
DATE	DWN BY	CHK	SCALE
10/16/98	DSB	TJB	NONE
P/N	CAD REF	DWG NO	
	PCB107	E151-4	