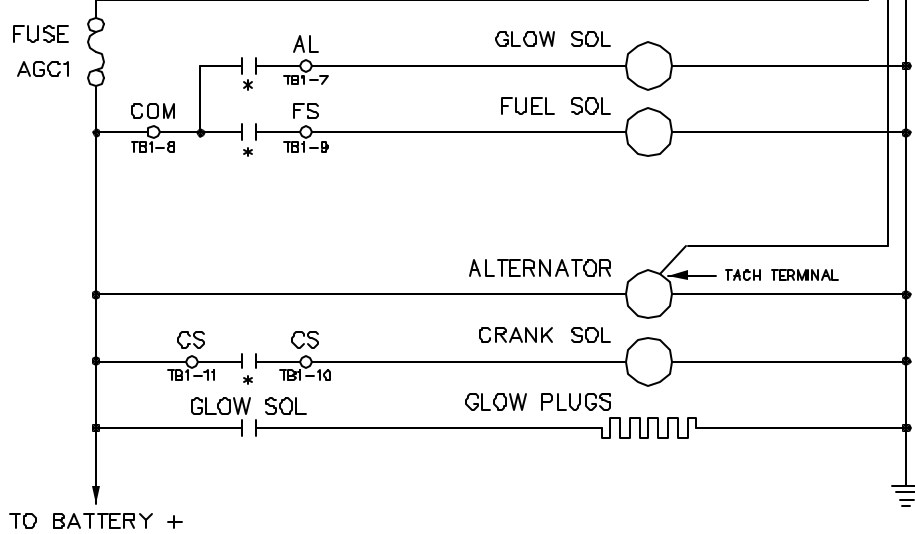
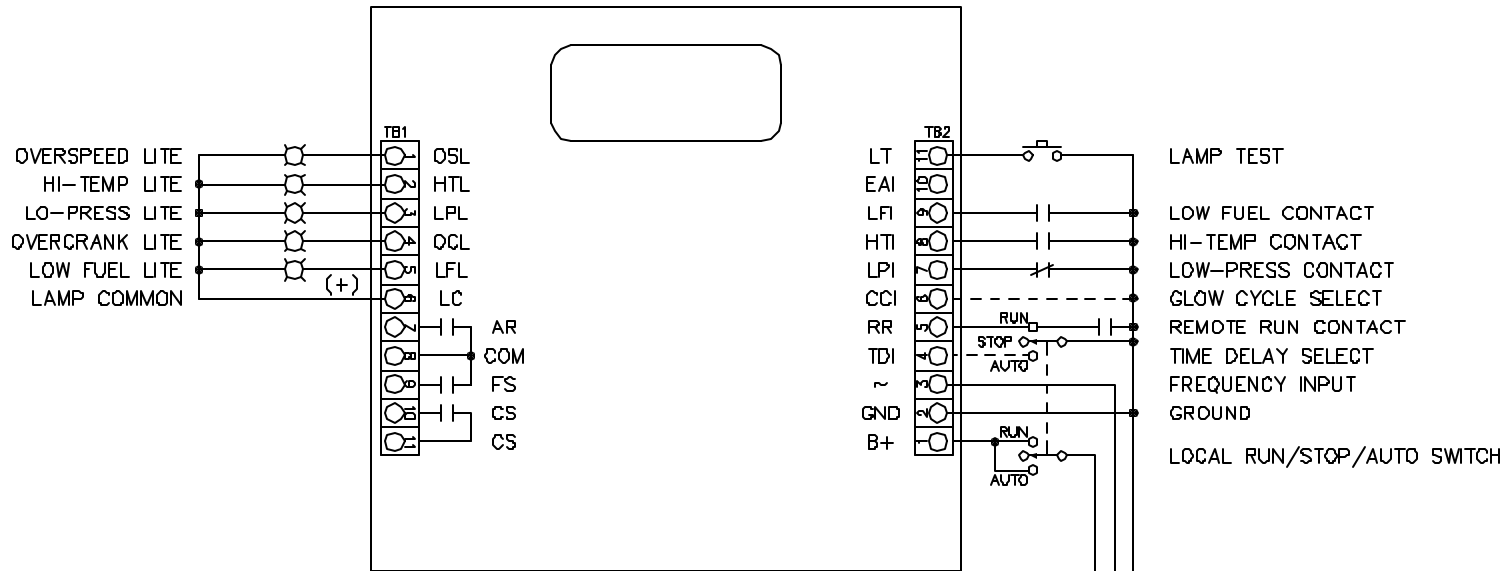


GENSET CONTROL MODULE



* RELAYS FS, CS,
& AR ARE INSIDE
THE GENSET CONTROL

FREQUENCY SENSING FROM ALTERNATOR TACH. TERMINAL

Bouchette Electronics, Inc. N11325 County Highway Y Clintonville, WI 54929				
TITLE CONNECTION DIAGRAM A121CB/A241CB CONTROL				
DATE	DWN BY	CHK	SCALE	
04/12/94	DSB	TJB	NONE	
P/N	CAD REF	DWG NO		
	PCB107	E151-5		