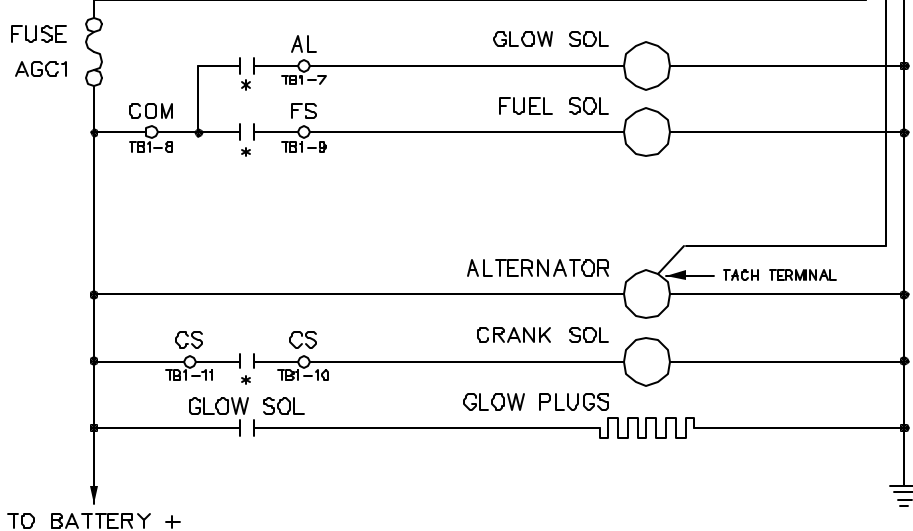
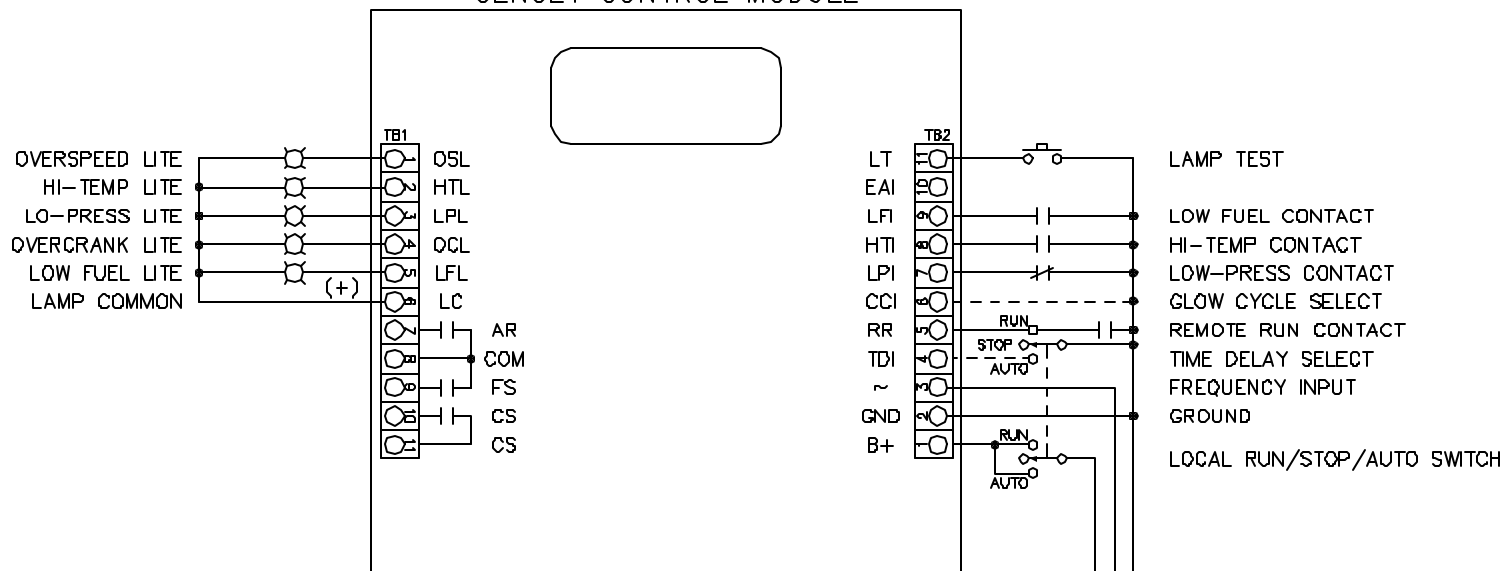


GENSET CONTROL MODULE



* RELAYS FS, CS,
& AR ARE INSIDE
THE GENSET CONTROL

FREQUENCY SENSING FROM ALTERNATOR TACH. TERMINAL

Bouchette Electronics, Inc. N11325 County Highway Y Clintonville, WI 54929			
TITLE CONNECTION DIAGRAM A121CM/A241CM CONTROL			
DATE	DWN BY	CHK	SCALE
12/13/95	DSB	TJB	NONE
P/N	CAD REF	DWG NO	
	PCB107	E151-9	