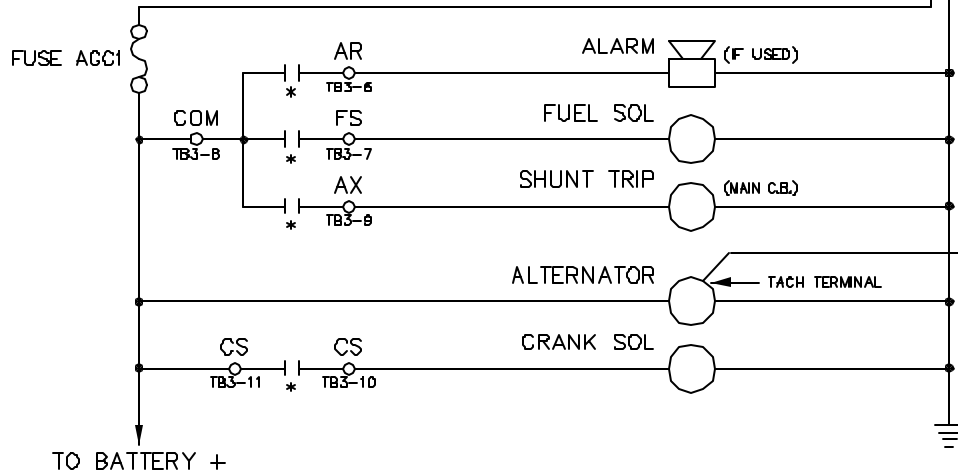
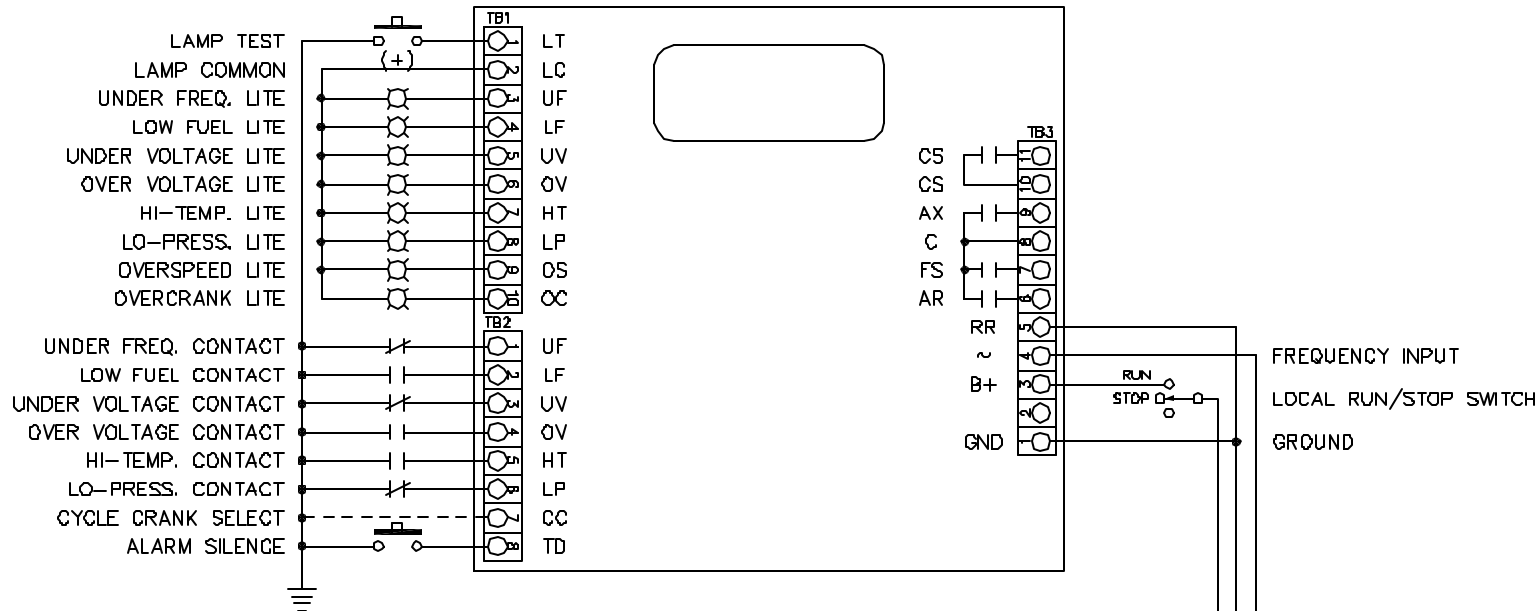


### GENSET CONTROL MODULE



\* RELAYS FS, CS, AR,  
& AX ARE INSIDE THE  
GENSET CONTROL.

FREQUENCY SENSING FROM ALTERNATOR TACH. TERMINAL

<b>Bouchette Electronics, Inc.</b> N11325 County Highway Y Clintonville, WI 54929			
TITLE CONNECTION DIAGRAM A121EOM/A241EOM CONTROL			
DATE 08/13/93	DWN BY DSB	CHK TJB	SCALE NONE
P/N	CAD REF PCB101	DWG NO E154-10	