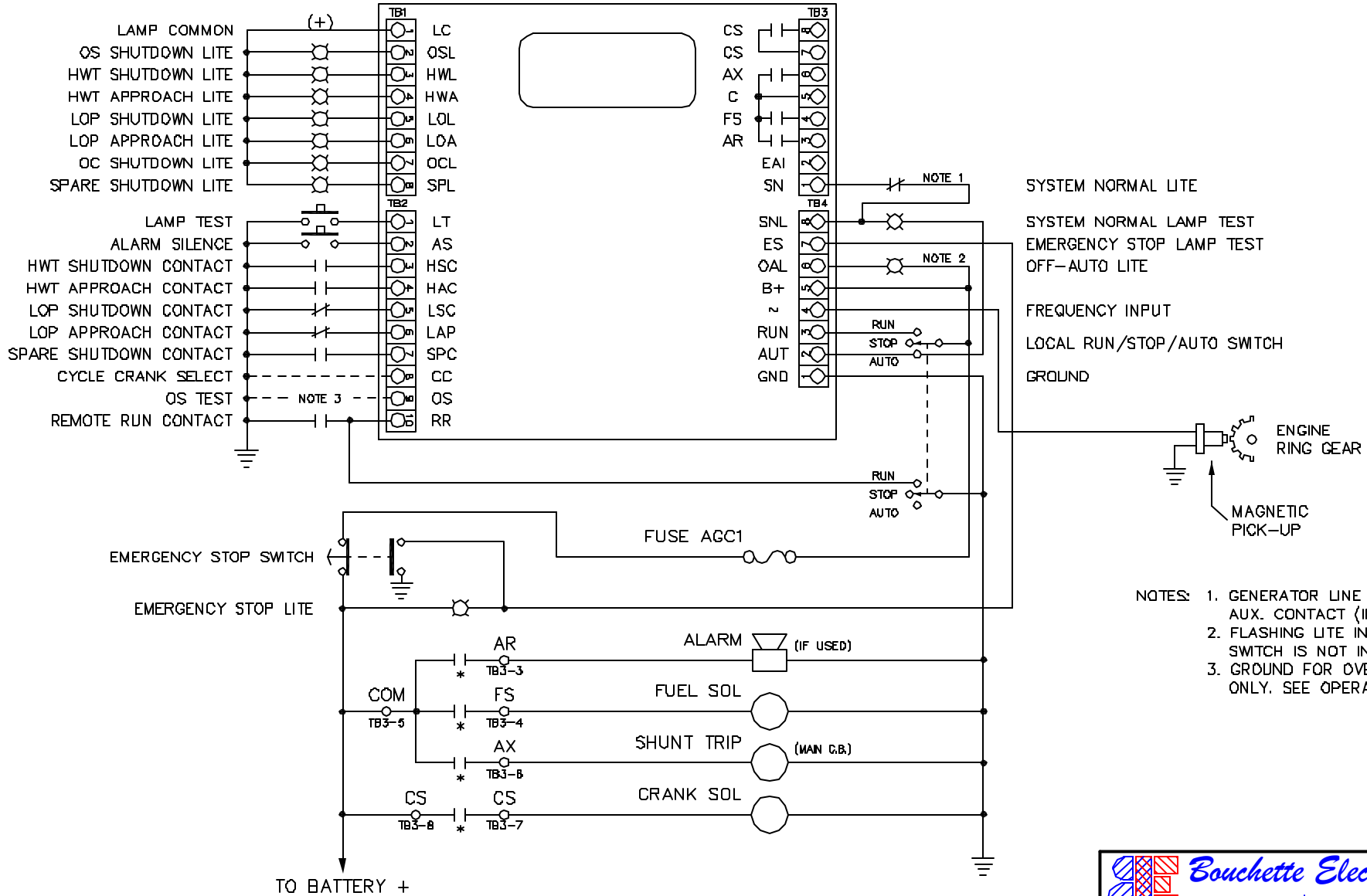


### GENSET CONTROL MODULE



FREQUENCY SENSING FROM MAGNETIC PICK-UP

<b>Bouchette Electronics, Inc.</b> N11325 County Highway Y Clintonville, WI 54929			
TITLE CONNECTION DIAGRAM A122E_/A242E_ CONTROL			
DATE	DWN BY	CHK	SCALE
04/12/95	DSB	TJB	NONE
P/N	CAD REF	DWG NO	
	PCB109	E156-2	