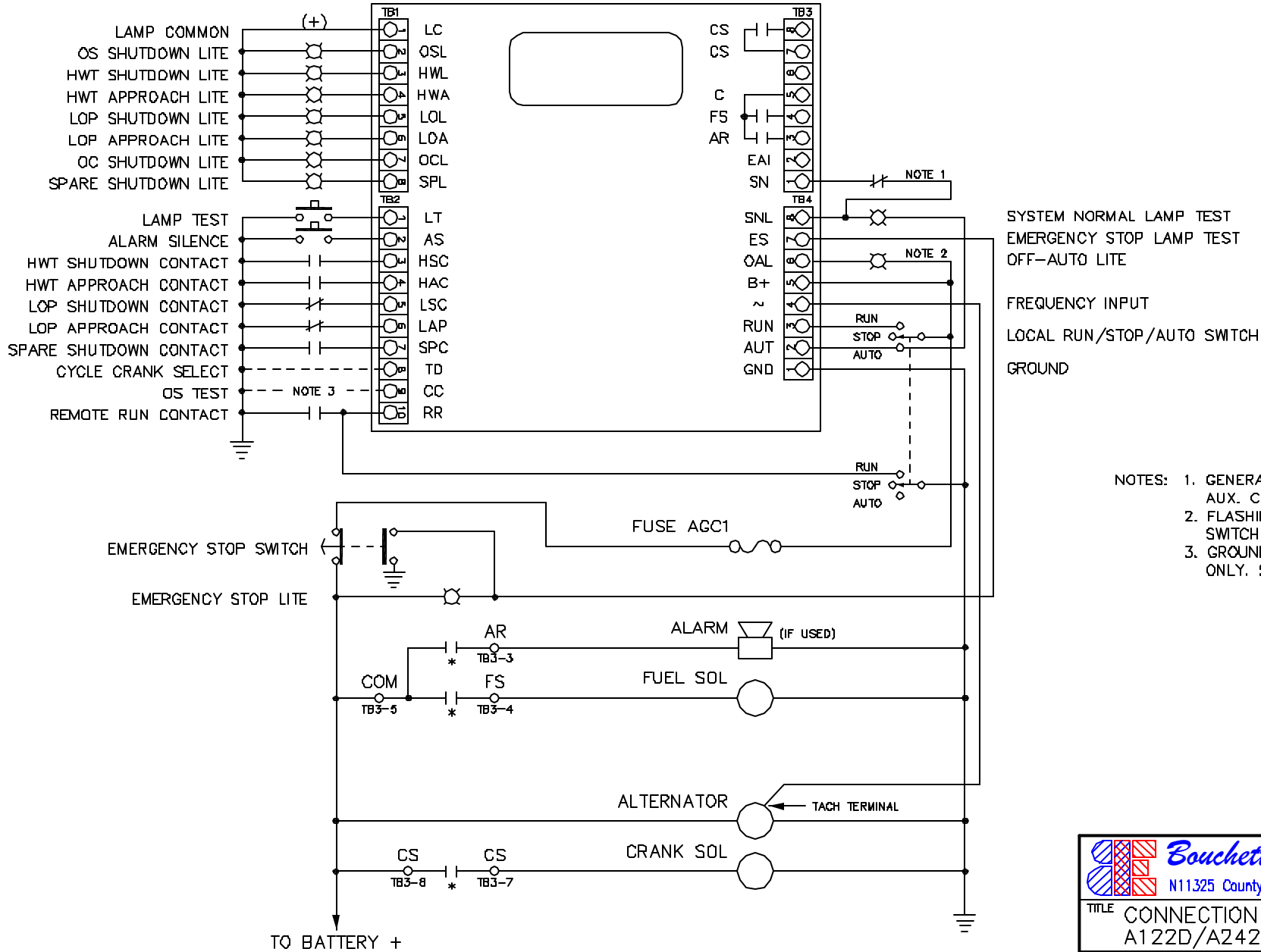


GENSET CONTROL MODULE



SYSTEM NORMAL LAMP TEST
 EMERGENCY STOP LAMP TEST
 OFF-AUTO LITE

FREQUENCY INPUT
 LOCAL RUN/STOP/AUTO SWITCH
 GROUND

- NOTES:
1. GENERATOR LINE CIRCUIT BREAKER AUX. CONTACT (IF USED.)
 2. FLASHING LITE INDICATES WHEN SWITCH IS NOT IN AUTO POSITION.
 3. GROUND FOR OVERSPEED TEST ONLY. SEE OPERATING INSTRUCTIONS.

* RELAYS AR, FS, & CS ARE INSIDE THE GENSET CONTROL.

FREQUENCY SENSING FROM ALTERNATOR TACH. TERMINAL

Bouchette Electronics, Inc. N11325 County Highway Y Clintonville, WI 54929			
TITLE CONNECTION DIAGRAM A122D/A242D CONTROL			
DATE 08/23/94	DWN BY DSB	CHK TJB	SCALE NONE
P/N	CAD REF PCB109	DWG NO	E165-1