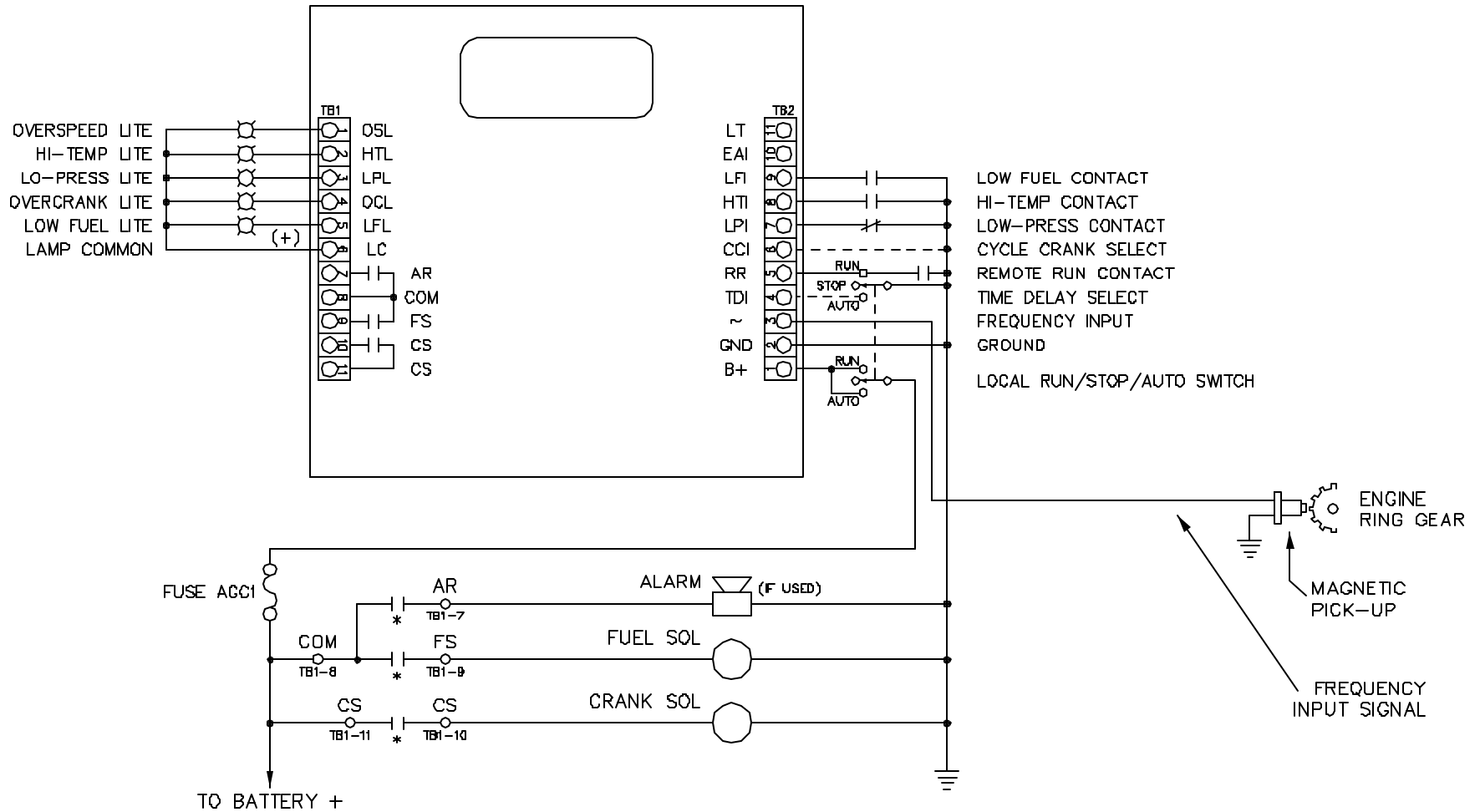


### GENSET CONTROL MODULE



\* RELAYS FS, CS,  
& AR ARE INSIDE  
THE GENSET CONTROL

FREQUENCY SENSING FROM MAGNETIC PICK-UP

<b>Bouchette Electronics, Inc.</b> N11325 County Highway Y Clintonville, WI 54929			
<b>TITLE</b> CONNECTION DIAGRAM A121KL/A241KL CONTROL			
DATE	DWN BY	CHK	SCALE
11/03/03	DSB	TJB	NONE
P/N	CAD REF	DWSG NO	
	PCB107	E223-4	